

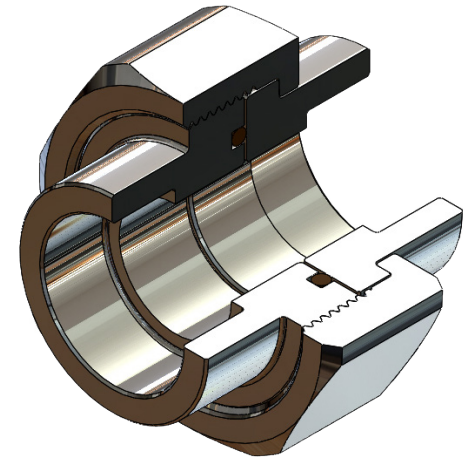
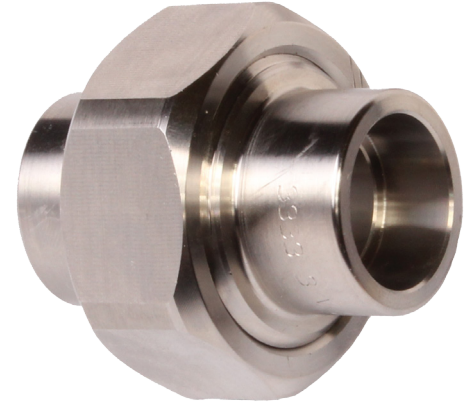


3434 Series Socket Weld Tube Union, Class 3000

HART Industrial O-Ring Unions are engineered to provide Class 3000 Service and are the most popular union in the industry for general purpose applications. The flat face design provides turbulence-free fit across seats. This design is ideal where piping requirements dictate the necessity of having a flat face seal to make and break the pipe line. All HART Unions are made in the USA!

Standard O-Ring Union Features:

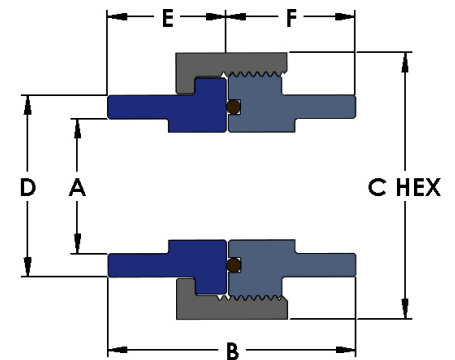
- **Turbulence Free:** All unions provide a turbulence-free fit across the seats
- **O-Ring Isolation:** The O-Ring seal is strategically located in the thread piece face eliminating O-Ring media contact and added protection against abrasives and erosion. A variety of O-Rings for any application are available.
- **Precision Machined Components:** All unions are precision machined to provide high quality and fail-safe leak proof reliability.
- **Interchangeable End Connections:** Threaded (female and male), socket weld, and butt weld ends are interchangeable. This feature reduces overall costs by eliminating unnecessary nipples, bushings, couplings and inserts.
- **Material Versatility:** Unions can be provided in all standard metals or combination of metals. This includes 304 Stainless, 316 Stainless, A105 Carbon Steel, Brass, Monel 400, Hastalloy, and Titanium.
- **Excellent Vibration Resistance:** Seals will not loosen, even under extreme pressure and pressure surges.
- **No Maintenance:** Once initial seal is made, no further tightening required.



Union Dimensional Reference:

SIZE	A-O.D.	B	C-HEX	D	E-TAIL	F-THREAD	WEIGHT
3434-1	1/4"	1.63	1.50	0.86	0.78	0.83	0.33
3434-2	3/8"	1.82	1.69	1.02	0.88	0.91	0.4
3434-3	1/2"	1.94	1.87	1.23	0.92	0.99	0.7
3434-4	3/4"	2.36	2.20	1.46	1.11	1.23	1
3434-5	1"	2.45	2.62	1.79	1.17	1.25	1.75
3434-6	1-1/4"	2.80	3.06	2.16	1.38	1.39	2.5
3434-7	1-1/2"	3.01	3.37	2.42	1.50	1.17	3.5
3434-8	2"	3.40	4.14	2.96	1.65	1.72	4.25
3434-9	2-1/2"	4.03	5.00	3.61	1.98	2.01	6
3434-10	3"	4.30	5.62	4.30	2.13	2.13	8

NOTE: Dimensions are for reference only and are subject to change.



Questions? Call us at 1-800-769-0503. Our Customer Service and Engineering Teams are available to assist you with any needs!