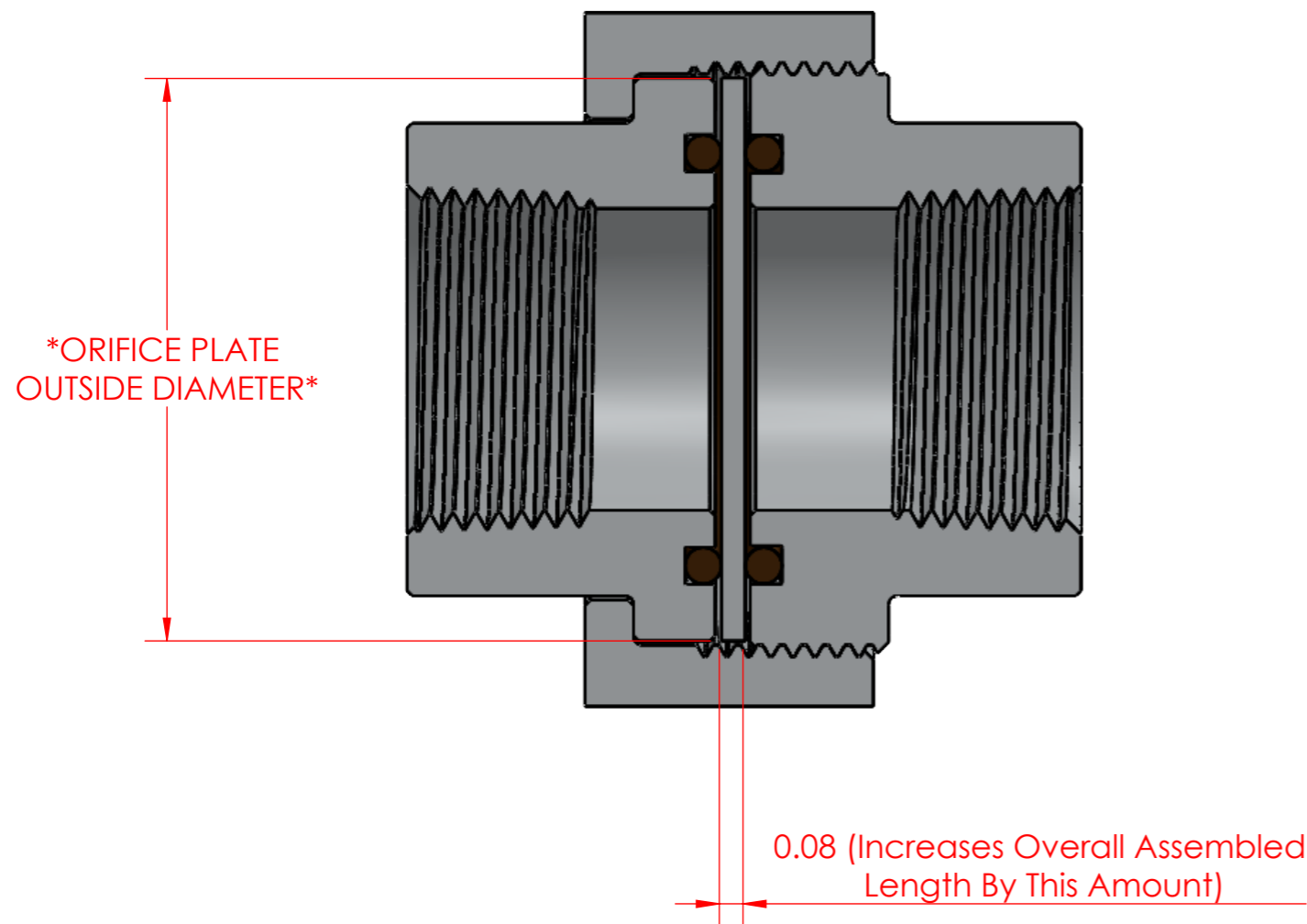
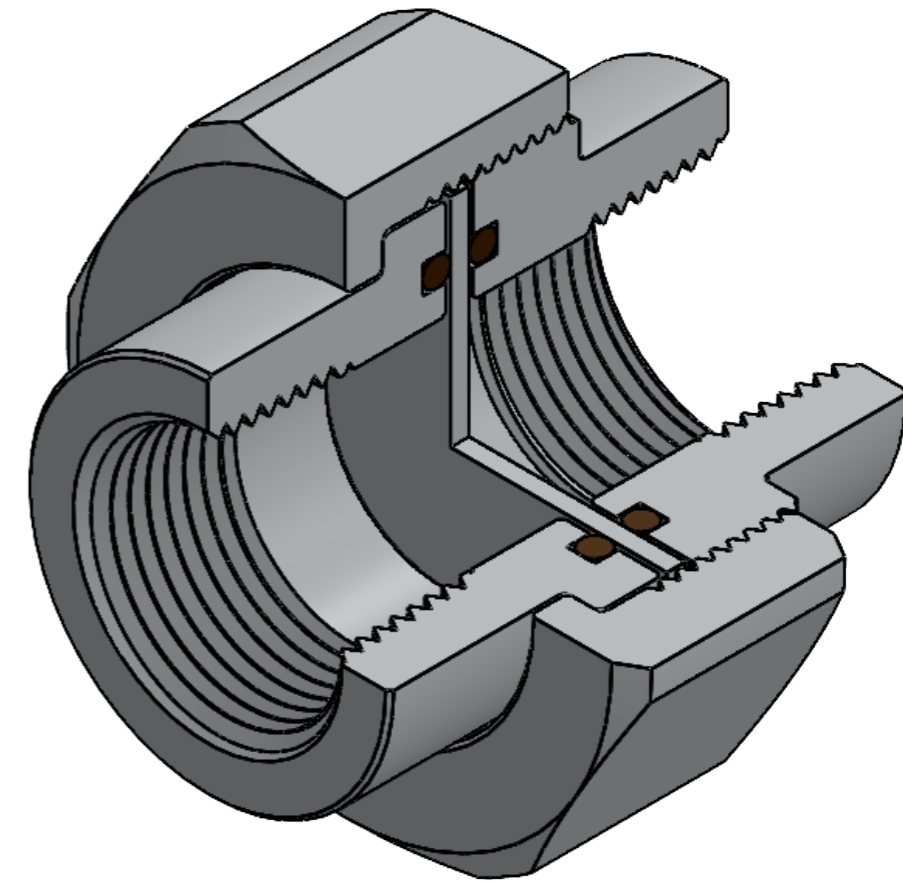



UNION SIZE	ORIFICE PLATE OUTSIDE DIAMETER (in)	ORIFICE PLATE PART NUMBER
1	1.000	O-3-1
2	1.375	O-3-2
3	1.375	O-3-3
4	1.625	O-3-4
5	2.000	O-3-5
6	2.500	O-3-6
7	2.750	O-3-7
8	3.240	O-3-8
9	3.950	O-3-9



DIMENSIONS FOR REFERENCE ONLY AND ARE SUBJECT TO CHANGE WITHOUT NOTICE.
DRAWING NOT TO SCALE.

UNLESS SPECIFIED OTHERWISE, ALL DIMENSIONS ARE IN INCHES TOLERANCE: .XX +/- .01	DRAWN		HART Industrial Unions, LLC P.O. Box 310429 Newington, CT 06131	 Sure Seal O-Ring Unions
	HWP	2-10-14		
	CHECK		TITLE: ORIFICE UNION SPECS	
	SRT	2-10-14	ASSEMBLY	
MATERIAL	REVISED		Orifice Assembly	
	BTC	8-10-2021	A3	
COATING	CUSTOMER		SCALE: NTS	
			SHEET 1 OF 1	