

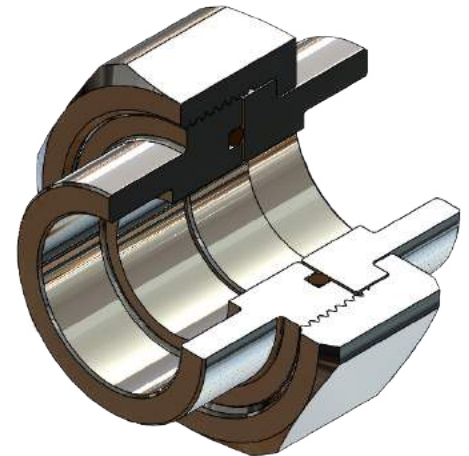


3333 Series Socket Weld Pipe Union, Class 3000

HART Industrial O-Ring Unions are engineered to provide Class 3000 Service and are the most popular union in the industry for general purpose applications. The flat face design provides turbulence-free fit across seats. This design is ideal where piping requirements dictate the necessity of having a flat face seal to make and break the pipe line. All HART Unions are made in the USA!

Standard O-Ring Union Features:

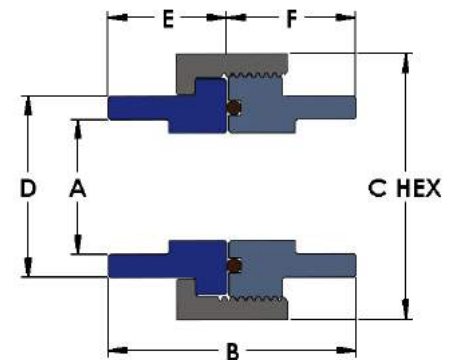
- **Turbulence Free:** All unions provide a turbulence-free fit across the seats
- **O-Ring Isolation:** The O-Ring seal is strategically located in the thread piece face eliminating O-Ring media contact and added protection against abrasives and erosion. A variety of O-Rings for any application are available.
- **Precision Machined Components:** All unions are precision machined to provide high quality and fail-safe leak proof reliability.
- **Interchangeable End Connections:** Threaded (female and male), socket weld, and butt weld ends are interchangeable. This feature reduces overall costs by eliminating unnecessary nipples, bushings, couplings and inserts.
- **Material Versatility:** Unions can be provided in all standard metals or combination of metals. This includes 304 Stainless, 316 Stainless, A105 Carbon Steel, Brass, Monel 400, Hastalloy, and Titanium.
- **Excellent Vibration Resistance:** Seals will not loosen, even under extreme pressure and pressure surges.
- **No Maintenance:** Once initial seal is made, no further tightening required.



Union Dimensional Reference:

SIZE	A-NPS	B	C-HEX	D	E-TAIL	F-THREAD	WEIGHT
3333-1	1/4"	1.76	1.38	0.75	0.80	0.96	0.33
3333-2	3/8"	2.01	1.82	1.13	0.94	1.07	0.7
3333-3	1/2"	2.01	1.82	1.13	0.94	1.07	0.7
3333-4	3/4"	2.16	2.15	1.38	1.03	1.13	1
3333-5	1"	2.60	2.50	1.75	1.25	1.35	1.75
3333-6	1-1/4"	2.77	3.06	2.16	1.38	1.39	2.5
3333-7	1-1/2"	3.11	3.38	2.38	1.53	1.58	3.5
3333-8	2"	3.28	3.88	2.88	1.55	1.73	4.25
3333-9	2-1/2"	4.01	5.00	3.61	1.99	2.02	6
3333-10	3"	4.28	5.75	4.30	2.14	2.14	8

NOTE: Dimensions are for reference only and are subject to change.



Questions? Call us at 1-800-769-0503. Our Customer Service and Engineering Teams are available to assist you with any needs!